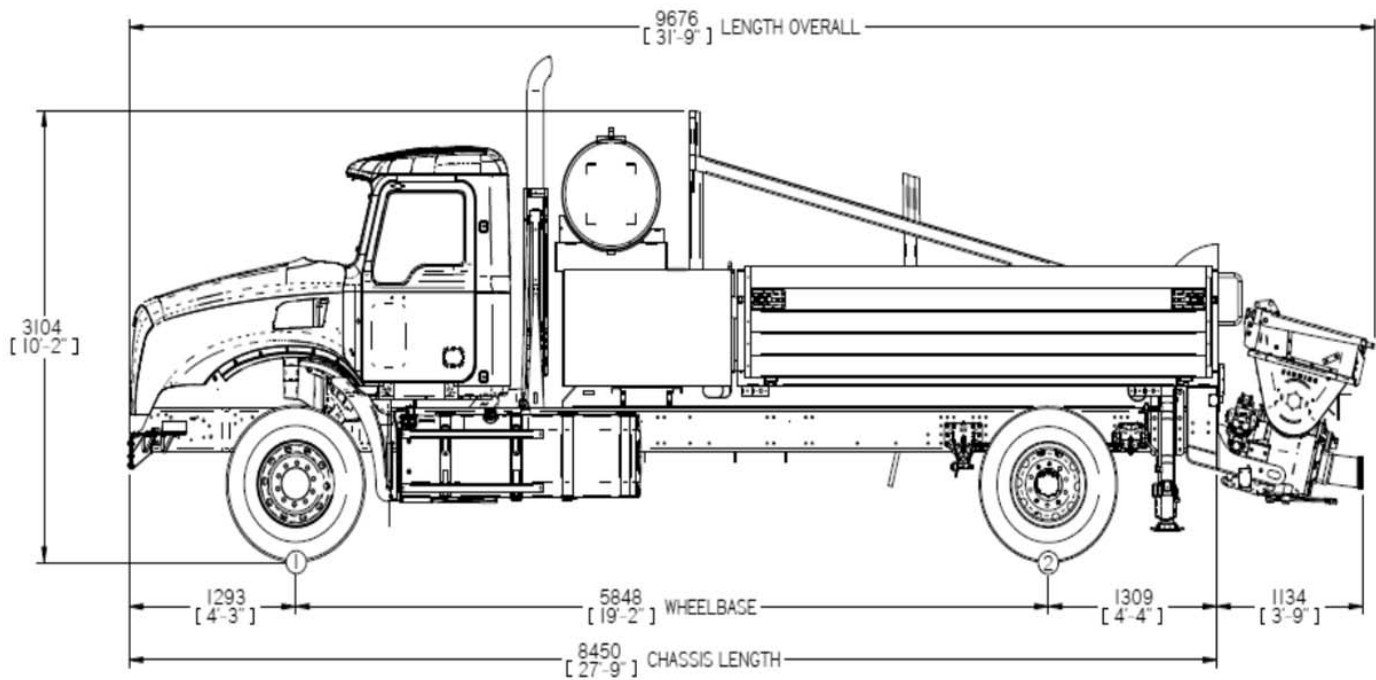


SCHWING SPTO 4000



Specifications

2020H-6 130/80 MPS	Rod Side	Piston Side
Theoretical Concrete Output	183 cu. yds/hr	115 cu. yds/hr
Maximum Pressure on Concrete	1233 psi	1991 psi
Maximum Pump Strokes Per Minute	38	23
Pump Cylinder Diameter	8" (180 mm)	
Differential Cylinder Diameter	5.1" (130mm)	
Pump Cylinder Stroke Length	79" (2000 mm)	
2023H-6 120/80 MPS	Rod Side	Piston Side
Theoretical Concrete Output	-	182 cu. yds/hr
Maximum Pressure on Concrete	-	1233 psi
Maximum Pump Strokes Per Minute	-	28
Pump Cylinder Diameter	9" (200 mm)	
Differential Cylinder Diameter	4.7" (120mm)	
Pump Cylinder Stroke Length	79" (2000 mm)	
Maximum Aggregate Size	2.5"	
Minimum Concrete Slump	0"	
Diameter of Discharge	7"	
<i>Note: Pumping distances shown are to be used as a guide only. Maximum attainable distances, Maximum Aggregate size and minimum slump are dependent on Mix design and pipeline diameter, Maximum Output and Distance Cannot be reached simultaneously</i>		
Capacity of Concrete Receiving Hopper	13.1 cu. ft.	
Charging Height of Concrete Receiving Hopper	54"	