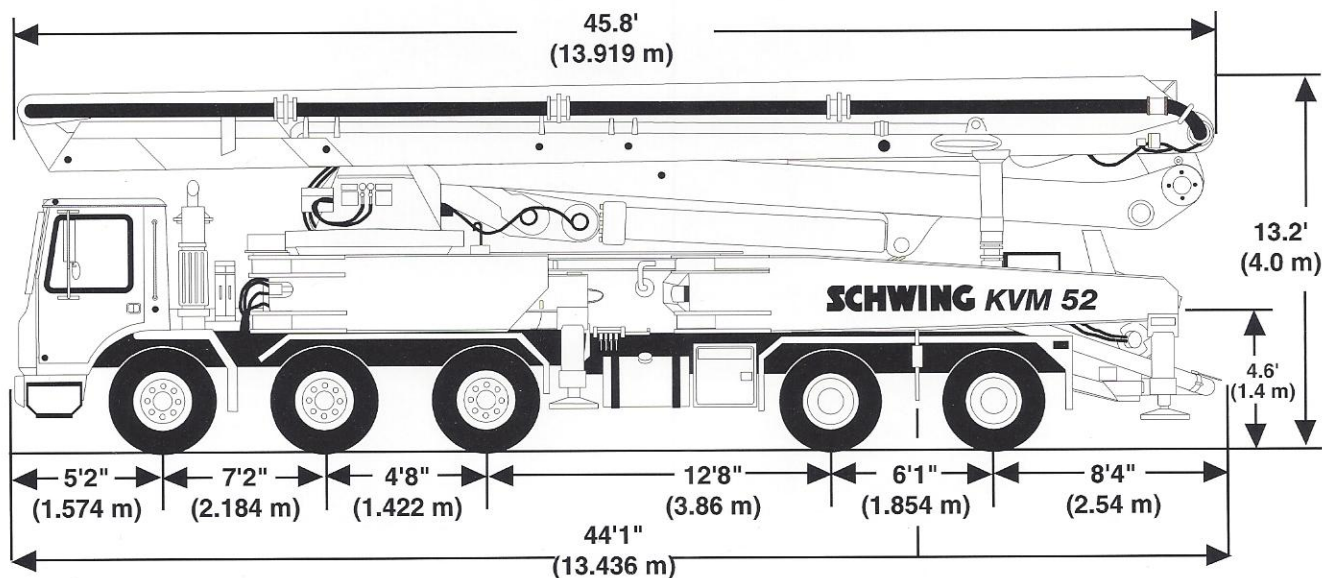


Pump Kits on 52	2023-4	2023-5	2525H-5	2525H-6
Theor. Concrete Output (cu./yds/hr)	170	209	181	213
Max. Pressure on Concrete (psi)	1007	1007	1169	1169
Max. Strokes/Min.	26	32	18	22
Pump Cylinder Diameter (in.)	9	9	10	10
Pump Cylinder Stroke Length (in.)	79	79	98	98
Differential Cylinder Size (in.)	5.1	5.1	4.7	4.7
Max. Aggregate Size (in.)	2.5	2.5	2.5	2.5
Hydraulic System Pressure (psi)	5075	5075	5075	5075

Specifications are subject to change without prior notice

Boom Specifications	U.S.	Metric
Pipeline Diameter	5"	125 mm
Vertical Reach	170' 7"	52 m
Net Horizontal Reach	157' 6"	48 m
Reach from Slewing Axis	147' 6"	45 m
Unfolding Height	44'-4"	13.5 m
Section Length	First Section	9 m
	Second Section	13 m
	Third Section	13 m
	Fourth Section	13 m
Slewing Range	360°	360°
End hose length	12.5'	4 m

Specifications are subject to change without prior notice



SCHWING
AMERICA INC.

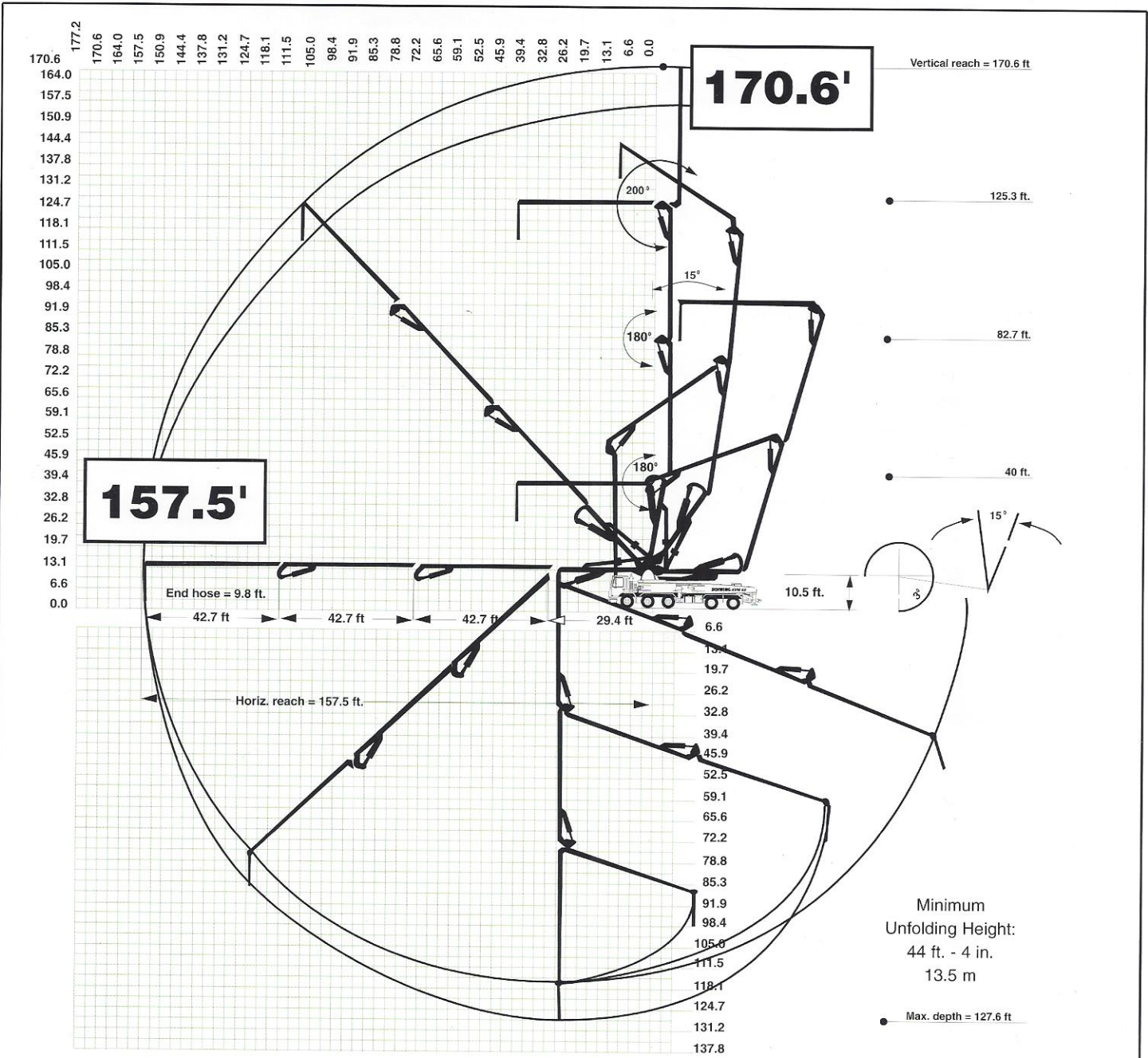
5900 Centerville Road
St. Paul, MN 55127
Tel 651-429-0999
Fax 651-429-3464
www.schwing.com

Represented by



Printed on recycled paper

Four-section boom versatility and operator convenience



Maximum Outrigger
Soil Pressures*

Front: 220 psi
Rear: 220 psi

*May vary slightly
depending on carrier.

Outrigger spread

